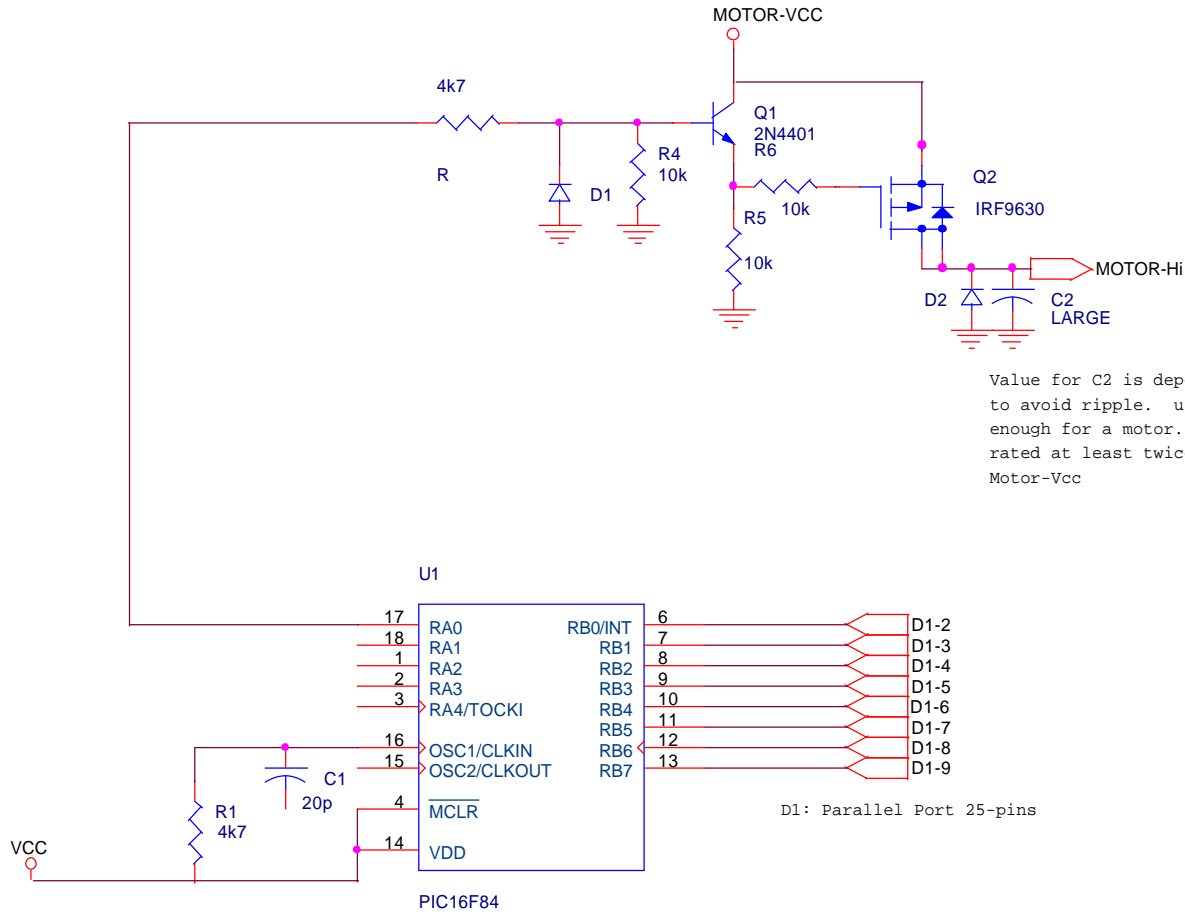


The MOSFET is a P-Channel MOSFET, Max rated at 3A 200V DC max...  
 but due to the speed of RC osciallator of the PIC, i suggest not  
 to go over 50V 2A DC...



Value for C2 is depend on your Load,  
 to avoid ripple. usually a 1000uF is  
 enough for a motor...Make sure it is  
 rated at least twice the voltage of  
 Motor-Vcc

D1: Parallel Port 25-pins

Title		
ParallelPort PWM controller v2.0		
Size	Document Number	Rev
A	By Kirk Lau	1
Date:	Saturday, June 08, 2002	Sheet 1 of 1