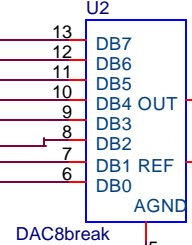


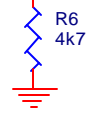
Parallel port

J1-09  
J1-08  
J1-07  
J1-06  
J1-05  
J1-04  
J1-03  
J1-02



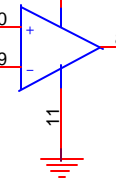
DAC8break

VCC



R6  
4k7

VCC

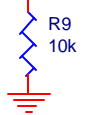


U3C  
LM324

R8  
4k7



D1



R9  
10k

VCC



R10  
10k

Q1  
2N4401

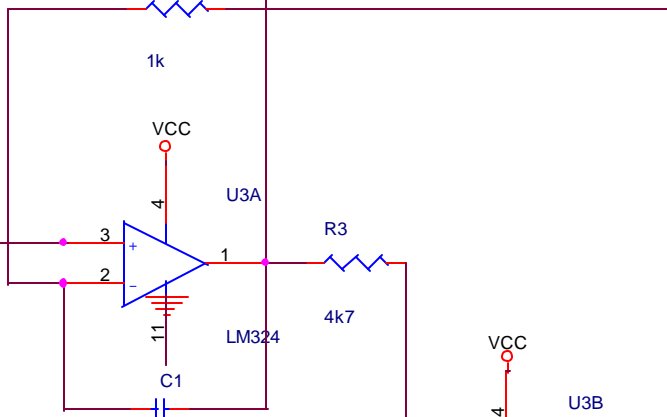


R1  
1k2



R2  
1k

R5  
1k



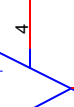
1k

VCC



R3  
4k7

VCC



U3B  
LM324

R4  
10k

R11  
10k

VCC



Q2  
IRF9630



D2

C2  
200u

MOTOR-Hi

MOTOR-GND

Title Parallel Port Controlled PWM		
Size A	Document Number By KKL	Rev 1
Date: Sunday, June 02, 2002	Sheet 1	of 1